

# RTC-700A

RISC-based 7" Rugged Tablet Computer



## Features

- NVIDIA® TEGRA™ 2 1.0 GHz Dual Core Processor
- DDR2 1GB SDRAM
- 7" WXGA (1280 x 800) TFT LCD Display
- Projected Capacitive Multi-Touch Panel, Gorilla Glass
- Li-Polymer High-Capacity Battery, 6 Hours Battery Life
- Rugged, Water and Dust Proof, IP65 compliance
- Micro SD Card Slot, 5M Pixel Camera
- WiFi 802.11 b/g/n , Bluetooth® 2.1+ EDR, Optional 3G
- G-Sensor, Light Sensor, E-compass, GPS Navigation
- Android™ v3.2/ V4.0
- Sunlight Readable (Optional)



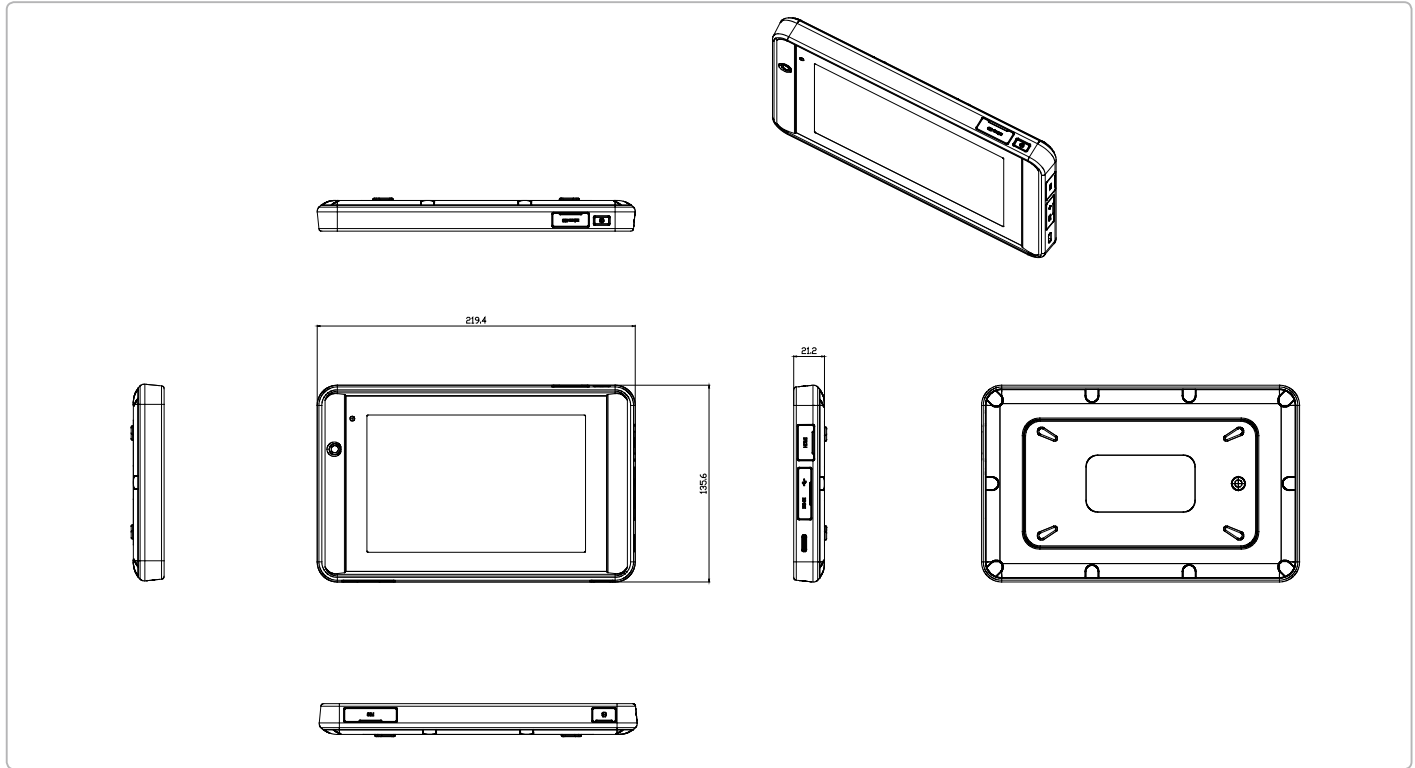
## Specifications

System	
Processor	NVIDIA® TEGRA™ 2 1.0GHz Dual Core Processor
System Memory	DDR2 1GB SDRAM
LCD Display	7" WXGA (1280 x 800) TFT LCD with Projected Capacitive Multi-Touch screen, Gorilla glass
Communication	WLAN 802.11 b/g/n Bluetooth® 2.1+ EDR (Bluetooth® Keyboard/Mouse support ) 3G modem module (optional)
I/O Port	DC-in Jack x 1 Mini USB Port x 1 Mini HDMI Port x 1 Micro SD Card Slot x 1 3.5-mm stereo headphone jack x 1 Built-in Speaker & Microphone SIM Card Slot x 1
Storage	16GB eMMC Flash
Navigation	GPS E-compass
Camera	Front: 1.2M Pixel camera Rear: 5M Pixel AF camera
Other	Built-in Light Sensor Built-in G-Sensor, Built-in 3-axis digital gyroscope, Built-in Vibrator motor
OS	Android™ v3.2/ v4.0
Mechanical	
Color	Black
Dimension	5.38" x 8.58" x 0.83"(136.6mm x 218mm x 21mm)
Gross Weight	1.2 lb (0.57 kg)
Carton Dimension	9.61" x 6.81" x 2.64" (244mm x 173mm x 67mm)
Environmental	
Operating Temperature	-4°F ~ 140°F (-20°C ~ 60°C)
Storage Temperature	-67°F ~ 167°F (-55°C ~ 75°C)
Operating Humidity	10 to 95% @ 40°C, non-condensing
Water & Dust Proof	IP65 compliance
Vibration	Meets MIL-STD-810G-514.6, Procedure I Cat. 24, Fig. 514.6E-1 & 514.6E-2 (Unit is non-operating) ASTM 4169-99 Truck Assurance Level II, Schedule E (Unit is operating)
Drop	26 drops of 48 inches height to 2" plywood over concrete with unit off MIL-STD-810G-516.6, Procedure IV
ESD	Air +/- 8KV, Contact +/- 4KV
EMC/ Safety	CE/ FCC Class B/ UL

# RTC-700A

## Dimension

Unit: mm



Power Supply	
AC/ DC Adapter	AC Power input: 100V-240V, 50Hz-60Hz, 12V/2A, 24W DC Power output: 12V/ 2A
Battery	Li-Polymer high capacity battery (27Whr), 6 Hrs Battery Life
LCD	
Display Type	7" 16:10 TFT LCD
Max. Resolution	1280 x 800
Max. Color	262K
Dot Size	0.117755(H) x 0.117755(V)
Luminance	350cd/m <sup>2</sup> ~ 600 cd/m <sup>2</sup>
View Angle	Horizontal 178° (Typical) Vertical 178° (Typical)
Touch Screen	
Type	Projected Capacitive Multi-Touch Panel, Gorilla glass
Light Transmission	≥87%

## Packing List

- 1255300240  
12V/24W AC Power Adapter
- Product CD
- RTC-700A

## Optional Accessories

- AP-OT9789666663  
Vehicle Docking
- 1700050156  
USB OTG Cable
- AP-PS1757402101  
Vehicle DC/DC Adapter

## Ordering Information

Part Number	CPU	LCD Display	Touch Screen	System Memory	Storage	OS	WiFi	Bluetooth	3G Bands (MHz)	GPS	Sensor	Camera	Display	USB	Expansion	SIM Card	Mounting	Power	Temp.	Sunlight Readable
RTC-700A-TA-WBGH-1110	TEGRA2 1.0GHz	7" TFT LCD	Pcap 10-point	LPDDR2 1GB	16GB eMMC Flash	Android 3.2	802.11 b/g/n	2.1 + EDR	850/1900/2100	GPS/AGPS	Light Sensor x 1 G Sensor x 1 3-axis digital groscope x 1 Vibrator x 1	Front: 1.2MP Back: 5MP	Mini HDMI x 1	Mini USB x 1	micro SD x 1	1	—	12V	-20°C ~ 60 °C	—
RTC-700A-TA-WBG-1110	TEGRA2 1.0GHz	7" TFT LCD	Pcap 10-point	LPDDR2 1GB	16GB eMMC Flash	Android 3.2	802.11 b/g/n	2.1 + EDR	—	GPS/AGPS	Light Sensor x 1 G Sensor x 1 3-axis digital groscope x 1 Vibrator x 1	Front: 1.2MP Back: 5MP	Mini HDMI x 1	Mini USB x 1	micro SD x 1	1	—	12V	-20°C ~ 60 °C	—