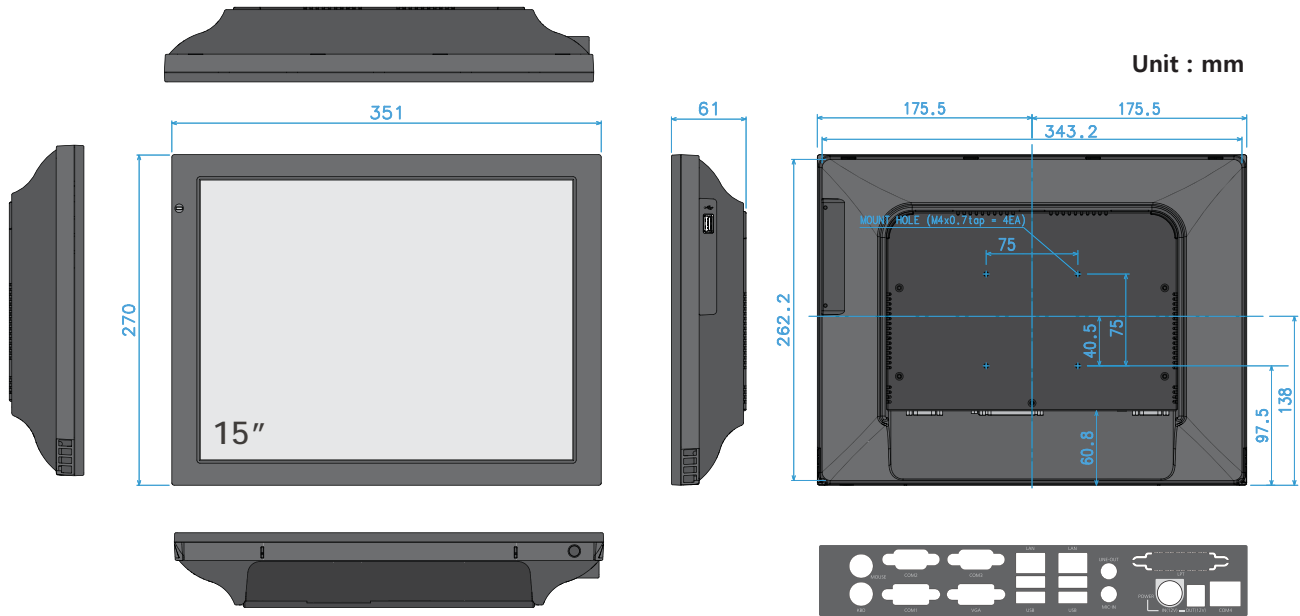


Industrial PC

150AP



150AP



Unit : mm

Specifications

System

CPU & Chipset	Intel® Atom™ D2550 1.86GHz↑ (Dual Core), Intel® NM10
Memory	2GB DDR3 SoDIMM (up to 4GB)
HDD	SATA-II 160GB↑ / SSD 16GB↑
Display & Touch	15" TFT LCD (1024 x 768), 5-wire Analog resistive Touch Panel
External I/O	2 x PS/2, 4 x COM, 2 x LAN, 1 x LPT, AUDIO, 4 X USB 2.0
Speaker	Built-in Speaker 1W
OS Supported	Microsoft® PosReady2009 / Win XP 32-bit Vista 32-bit / Win 7 32-bit / Linux

Environment & Mechanical

Dimension (WxHxT)	351mm x 270mm x 61mm
Weight	3.5 kg
Housing Color	Black
Mounting	VESA Compliance (75mm)
Fanless Operation	YES

Power Supply Unit

Power Input	External adaptor DC12V 5A (60W)
Power Output	YES (12V, 0.5A)

Optional

Wireless Lan	802.11n, 150Mbps↑ (Internal USB Module)
Recovery Solution	System Image BackUp Solution
Digital Video Recorder	4-Channel

* Design and Specifications are subject to change without notice.

